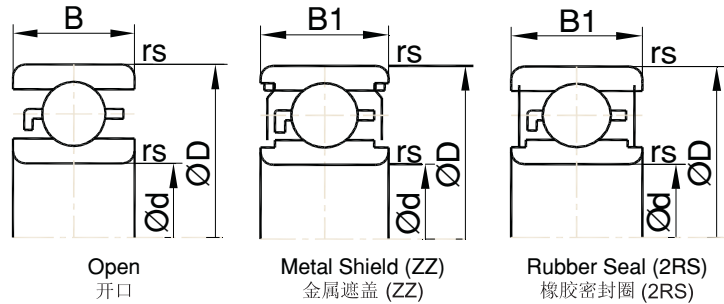


## EXTRA THIN BEARING

## 超薄型轴承

## ■ ET

METRIC SERIES / 公制系列



## • Dimensions / 尺寸

Unit / 单位 : mm

Boundary Dimensions 边界尺寸					Bearing Number 轴承号码			Basic Load Rating 基本负载等级	
d	D	B	B1	rs	Open 开口	Metal Shield 金属遮盖 (ZZ)	Rubber Seal 橡胶密封圈 (2RS)	Cr (kgf)	Cor (kgf)
10	15	3.0	4	0.15	ET1510	ET1510ZZS	-	97.7	52.4
15	20	3.5	-	0.15	ET2015	-	-	96.1	59.3
	21	3.5	-	0.15	ET2115	-	-	95.8	59.2
16	22	4.0	-	0.15	ET2216	-	-	98.7	63.1
	23	4.5	4.5	0.15	ET2316	ET2316ZZS	-	98.7	63.1
18	24	4.0	-	0.15	ET2418	-	-	100.7	66.7
20	25	4.0	4	0.15	ET2520	ET2520ZZS	-	103.1	70.5

- For Stainless Steel type, add SS in front of the part number.  
不锈钢类型型号前需加SS

## ■ ER

INCH SERIES / 英制系列

## • Dimensions / 尺寸

Unit / 单位 : inch, mm

Boundary Dimensions 边界尺寸										Bearing Number 轴承号码			Basic Load Rating 基本负载等级	
d		D		B		B1		rs		Open 开口	Metal Shield 金属遮盖 (ZZ)	Rubber Seal 橡胶密封圈 (2RS)	Cr (kgf)	Cor (kgf)
inch	mm	inch	mm	inch	mm	inch	mm	inch	mm					
0.3750	9.525	0.6250	15.875	0.1562	3.968	0.1960	4.978	0.0098	0.25	ER1038	ER1038ZZS	-	87.3	44.4
		0.7500	19.050	0.1960	4.978	0.1562	3.968	0.0098	0.25	ER1238	ER1238ZZ	ER1238 - 2RS	175	85.7
0.5000	12.700	0.7500	19.050	0.1562	3.968	0.1960	4.978	0.0980	0.25	ER1212	ER1212ZZS	-	93.6	55.3
		0.8750	22.225	0.1960	4.978	0.1562	3.968	0.0980	0.25	ER1412	ER1412ZZ	ER1412 - 2RS	195.3	106.1
0.6250	15.875	0.8750	22.225	0.1562	3.968	0.1960	4.978	0.0980	0.25	ER1458	ER1458ZZS	-	98.7	63.1
		1.0000	25.400	0.1960	4.978	0.1562	3.968	0.0980	0.25	ER1658	ER1658ZZ	ER1658 - 2RS	227.7	148.5
0.7500	19.050	1.0000	25.400	0.1562	3.968	0.2812	7.142	0.0980	0.25	ER1634	ER1634ZZS	-	103.1	70.5
		1.1248	28.571	0.2812	7.142	0.1562	3.968	0.0980	0.25	ER1834	ER1834ZZS	-	106.3	74.3

- For Stainless Steel type, add SS in front of the part number.  
不锈钢类型型号前需加SS。