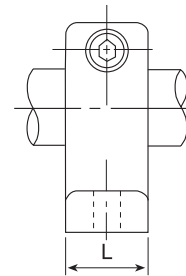
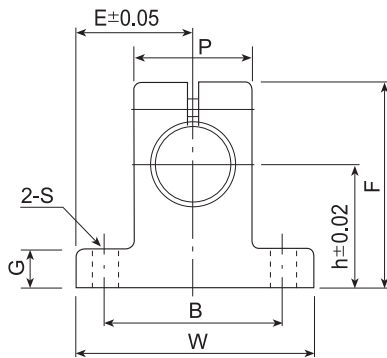
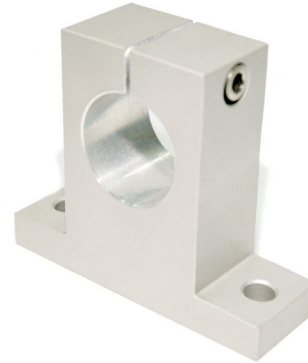


SHAFT SUPPORTER

轴心支撑座

SH...A

MATERIAL: ALUMINIUM ALLOY / 材质: 铝合金



Unit / 单位 : mm

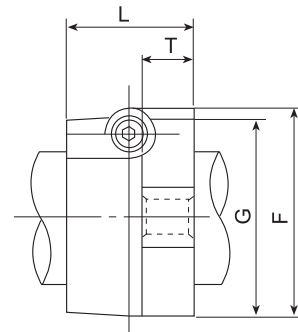
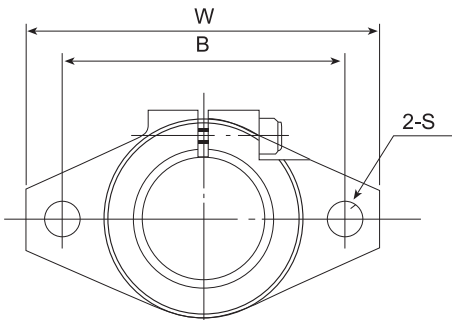
Model No. 型号	Nominal shaft diameter 实际轴径	Main dimensions 主要尺寸									Clamping bolt 固定螺栓	Mounting bolt 装配螺栓	Weight 重量 g
		h	E	W	L	F	G	P	B	S			
SH 8A	8	20	21	42	14	32.8	6	18	32	5.5	M4	M5	24
SH10A	10	20	21	42	14	32.8	6	18	32	5.5	M4	M5	24
SH12A	12	23	21	42	14	37.5	6	20	32	5.5	M4	M5	30
SH13A	13	23	21	42	14	37.5	6	20	32	5.5	M4	M5	30
SH16A	16	27	24	48	16	44	8	25	38	5.5	M4	M5	40
SH20A	20	31	30	60	20	51	10	30	45	6.6	M5	M6	70
SH25A	25	35	35	70	24	60	12	38	56	6.6	M6	M6	130
SH30A	30	42	42	84	28	70	12	44	64	9	M6	M8	180
SH35A	35	50	49	98	32	82	15	50	74	11	M8	M10	270
SH40A	40	60	57	114	36	96	15	60	90	11	M8	M10	420
SH50A	50	70	63	126	40	120	18	74	100	14	M12	M12	750
SH60A	60	80	74	148	45	136	18	90	120	14	M12	M12	1,100

FLANGED SHAFT SUPPORTER

法兰型轴心支撑座

■ SHF...A

MATERIAL: ALUMINIUM ALLOY / 材质: 铝合金



Unit / 单位 : mm

Model No. 型号	Nominal shaft diameter 实际轴径	Main dimensions 主要尺寸							Clamping bolt 固定螺栓	Mounting bolt 装配螺栓	Weight 重量 g
		W	L	T	F	G	B	S			
SHF10A	10	43	10	5	24	20	32	5.5	M5	M4	13
SHF12A	12	47	13	7	28	25	36	5.5	M5	M4	20
SHF13A	13	47	13	7	28	25	36	5.5	M5	M4	20
SHF16A	16	50	16	8	31	28	40	5.5	M5	M4	27
SHF20A	20	60	20	8	37	34	48	7	M6	M5	40
SHF25A	25	70	25	10	42	40	56	7	M6	M5	60
SHF30A	30	80	30	12	50	46	64	9	M8	M6	110
SHF35A	35	92	35	14	58	50	72	12	M10	M8	380
SHF40A	40	102	40	16	67	56	80	12	M10	M10	510
SHF50A	50	122	50	19	83	70	96	14	M12	M12	890
SHF60A	60	140	60	23	95	82	112	14	M12	M12	1,500