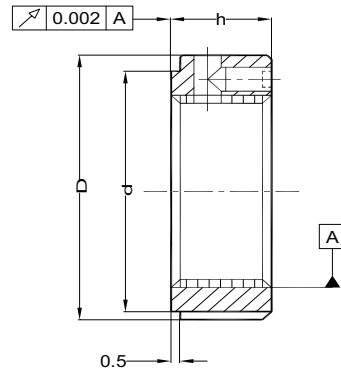
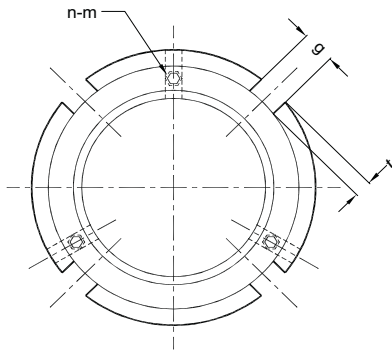


AXIAL LOCKING TYPE 轴向锁定型

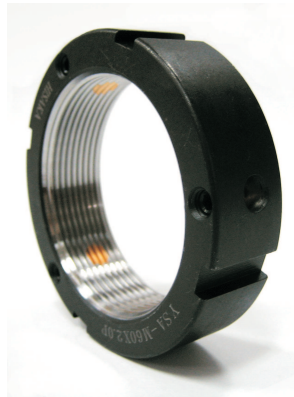
■ YSA



• Dimensions / 尺寸

Unit / 单位 : mm

Product Number 产品编号	D	h	d	t	n - m	g	Max. Torque 最大扭矩 (N.m)
YSA M14X1.5	30	14	25	2	2 - M4	4	3.5
YSA M15X1							
YSA M16X1.5							
YSA M17X1	32	16	27				
YSA M18X1.5							
YSA M20X1							
YSA M20X1.5	38	18	33		3 - M4	5	4.5
YSA M22X1.5							
YSA M24X1.5							
YSA M25X1.5	40	18	35				
YSA M27X1.5							
YSA M30X1.5							
YSA M30X1.5	45	18	40				
YSA M33X1.5							
YSA M35X1.5							
YSA M36X1.5	52	20	47	2.5	3 - M6	6	8.0
YSA M39X1.5							
YSA M40X1.5							
YSA M42X1.5	62	20	56				
YSA M45X1.5							
YSA M48X1.5							
YSA M50X1.5	70	22	64	3	7		
YSA M52X1.5							
YSA M55X2							
YSA M56X2	75	22	68				
YSA M60X2							
YSA M64X2							
YSA M65X2	85	24	78	3.5	8		
YSA M68X2							
YSA M70X2							
YSA M72X2	94	24	86				
YSA M75X2							
YSA M76X2							
YSA M80X2	105	26	96	4	10		
YSA M85X2							
YSA M90X2							
YSA M95X2	125	26	113				



• Dimensions / 尺寸

Unit / 单位 : mm

Product Number 产品编号	D	h	d	t	n - m	g	Max. Torque 最大扭矩 (N.m)
YSA M100X2	130	26	118	4	3 - M8	10	18.0
YSA M105X2	140	28	125	5	3 - M10	12	35.0
YSA M110X2	145		132				
YSA M115X2	150		137				
YSA M120X2	155	30	142	6	3 - M12	14	60.0
YSA M125X2	160		147				
YSA M130X2	165		152				
YSA M135X2	175	32	160	7	3 - M12	16	60.0
YSA M140X2	180		165				
YSA M145X2	190		175				
YSA M150X2	195	34	180	8	3 - M12	18	60.0
YSA M155X3	200		190				
YSA M160X3	210		190				
YSA M165X3	210	36	200	8	3 - M12	18	60.0
YSA M170X3	220		205				
YSA M180X3	230		215				
YSA M190X3	240	38	225	8	3 - M12	18	60.0
YSA M200X3	250		225				

ORDERING EXAMPLE

订购例子

