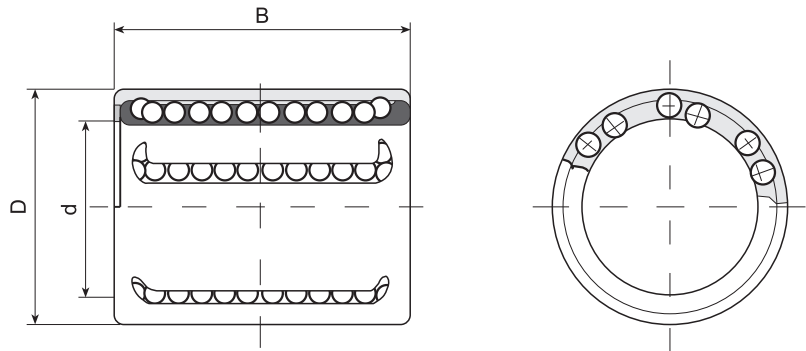


COMPACT TYPE 简易型

▣ KH



Unit /单位 : mm

Nominal shaft diameter 实际轴径 mm	No Seal 无油封		Sealed type 油封型		Main dimensions 主要尺寸			Basic load rating 基本定格荷重	
	Model No. 型号	Weight 重量 g	Model No. 型号	Weight 重量 g				dynamic 动定格 C(kgf)	static 静定格 Co(kgf)
					d	D	B		
6	KH0622	7	KH0622PP	7	6	12	22	9	24
8	KH0824	12	KH0824PP	12	8	15	24	11	28
10	KH1026	14	KH1026PP	14.5	10	17	26	14	37
12	KH1228	18	KH1228PP	18.5	12	19	28	18	51
14	KH1428	20.5	KH1428PP	21	14	21	28	19	52
16	KH1630	27	KH1630PP	27.5	16	24	30	24	62
20	KH2030	32.5	KH2030PP	33	20	28	30	28	79
25	KH2540	61.5	KH2540PP	63	25	35	40	65	167
30	KH3050	90	KH3050PP	92	30	40	50	100	270
40	KH4060	182	KH4060PP	184	40	52	60	170	445
50	KH5070	250	KH5070PP	255	50	62	70	235	630