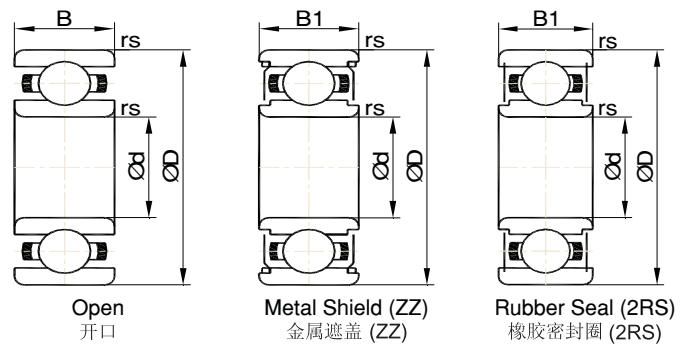


PLAIN BEARING

普通轴承

MINIATURE TYPE / 微型 METRIC SERIES / 公制系列



Dimensions / 尺寸

Unit / 单位 : mm

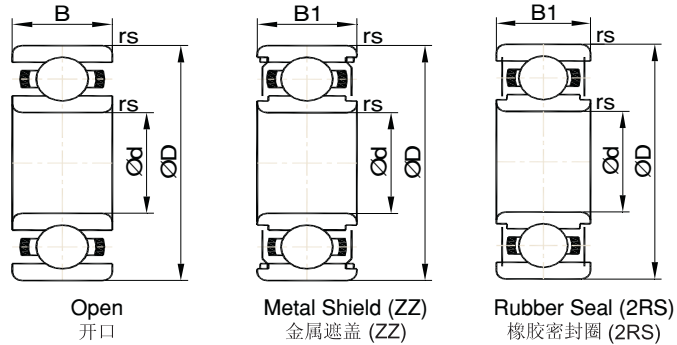
| Boundary Dimensions 边界尺寸 | | | | | Bearing Number 轴承号码 | | | Basic Load Rating 基本负载等级 | |
|-----------------------------|----|-----|----------------|------|------------------------|--------------------------------|----------------------------------|-----------------------------|--------------------------|
| d | D | B | B ₁ | rs | Open 开口 | Metal Shield (ZZ) 金属遮盖 (ZZ) | Rubber Seal (2RS) 橡胶密封圈 (2RS) | C _r (kgf) | C _{or} (kgf) |
| 1 | 3 | 1 | - | 0.05 | 681 | - | - | 9.8 | 2.7 |
| | 3 | 1.5 | - | 0.05 | MR31 | - | - | 9.8 | 2.7 |
| | 4 | 1.6 | - | 0.1 | 691 | - | - | 14.4 | 3.8 |
| 1.2 | 4 | 1.8 | 2.5 | 0.1 | MR41X | MR41XZZ | - | 11.4 | 3.4 |
| 1.5 | 4 | 1.2 | 2 | 0.05 | 681X | 681XZZ | 681X - 2RS | 11.4 | 3.4 |
| | 5 | 2 | 2.6 | 0.15 | 691X | 691XZZ | 691X - 2RS | 17.2 | 5.1 |
| | 6 | 2.5 | 3 | 0.15 | 601X | 601XZZ | 601X - 2RS | 33.7 | 10.1 |
| 2 | 5 | 1.5 | 2.3 | 0.08 | 682 | 682ZZ | 682 - 2RS | 17.2 | 5.1 |
| | 5 | 2 | 2.5 | 0.1 | MR52 | MR52ZZ | MR52 - 2RS | 17.2 | 5.1 |
| | 6 | 2.3 | 3 | 0.15 | 692 | 692ZZ | 692 - 2RS | 33.7 | 10.1 |
| | 6 | 2.5 | 2.5 | 0.15 | MR62 | MR62ZZ | MR62 - 2RS | 33.7 | 10.1 |
| | 7 | 2.5 | 3 | 0.15 | MR72 | MR72ZZ | MR72 - 2RS | 39.4 | 13.2 |
| | 7 | 2.8 | 3.5 | 0.15 | 602 | 602ZZ | 602 - 2RS | 39.4 | 13.2 |
| 2.5 | 6 | 1.8 | 2.6 | 0.08 | 682X | 682XZZ | 682X - 2RS | 21.3 | 7.6 |
| | 7 | 2.5 | 3.5 | 0.15 | 692X | 692XZZ | 692X - 2RS | 39.4 | 13.2 |
| | 8 | 2.5 | - | 0.2 | MR82X | MR82XZZ | MR82X - 2RS | 56.9 | 18.4 |
| | 8 | 2.8 | 4 | 0.15 | 602X | 602XZZ | 602X - 2RS | 56.3 | 18.1 |
| 3 | 6 | 2 | 2.5 | 0.1 | MR63 | MR63ZZ | MR63 - 2RS | 21.3 | 7.6 |
| | 7 | 2 | 3 | 0.1 | 683 | 683ZZ | 683 - 2RS | 31.7 | 11.4 |
| | 8 | 2.5 | 3 | 0.15 | MR83 | MR83ZZ | MR83 - 2RS | 40.3 | 14.4 |
| | 8 | 3 | 4 | 0.15 | 693 | 693ZZ | 693 - 2RS | 56.9 | 18.4 |
| | 9 | 2.5 | 4 | 0.2 | MR93 | MR93ZZ | MR93 - 2RS | 58.3 | 19.3 |
| | 9 | 3 | 5 | 0.15 | 603 | 603ZZ | 603 - 2RS | 58.3 | 19.3 |
| | 10 | 4 | 4 | 0.15 | 623 | 623ZZ | 623 - 2RS | 64.4 | 22.3 |
| | 13 | 5 | 5 | 0.2 | 633 | 633ZZ | 633 - 2RS | 132.8 | 49.8 |
| 4 | 7 | 2 | - | 0.1 | MR74 | - | - | 31.7 | 11.7 |
| | 7 | - | 2.5 | 0.1 | - | MR74ZZ | MR74 - 2RS | 26.0 | 11.0 |
| | 8 | 2 | 3 | 0.15 | MR84 | MR84ZZ | MR84 - 2RS | 40.0 | 14.4 |
| | 9 | 2.5 | 4 | 0.1 | 684 | 684ZZ | 684 - 2RS | 65.4 | 23.2 |
| | 10 | 3 | 4 | 0.2 | MR104 | MR104ZZ | MR104 - 2RS | 72.6 | 27.8 |
| | 11 | 4 | 4 | 0.15 | 694 | 694ZZ | 694 - 2RS | 97.7 | 35.7 |
| | 12 | 4 | 4 | 0.2 | 604 | 604ZZ | 604 - 2RS | 97.7 | 35.7 |
| | 13 | 5 | 6 | 0.3 | 624 | 624ZZ | 624 - 2RS | 132.8 | 49.8 |
| | 16 | 5 | 6 | 0.3 | 634 | 634ZZ | 634 - 2RS | 136.7 | 53.4 |

- For Stainless Steel type, add SS in front of the part number.
不锈钢类型型号前需加SS。

PLAIN BEARING

普通轴承

■ MINIATURE TYPE / 微型 METRIC SERIES / 公制系列



• Dimensions / 尺寸

Unit/单位 : mm

| Boundary Dimensions 边界尺寸 | | | | | Bearing Number 轴承号码 | | | Basic Load Rating 基本负载等级 | |
|-----------------------------|----|-----|----------------|------|------------------------|--------------------------------|----------------------------------|-----------------------------|--------------|
| d | D | B | B ₁ | rs | Open 开口 | Metal Shield (ZZ) 金属遮盖 (ZZ) | Rubber Seal (2RS) 橡胶密封圈 (2RS) | Cr (kgf) | Cor (kgf) |
| 5 | 8 | 2 | - | 0.1 | MR85 | - | - | 31.4 | 12.2 |
| | 8 | - | 2.5 | 0.1 | - | MR85ZZS | MR85 - 2RS | 22.2 | 9.2 |
| | 9 | 2.5 | 3 | 0.15 | MR95 | MR95ZZS | MR95 - 2RS | 44.0 | 17.2 |
| | 10 | 3 | 4 | 0.15 | MR105 | MR105ZZS | MR105 - 2RS | 44.0 | 17.2 |
| | 11 | - | 4 | 0.15 | - | MR115ZZS | MR115 - 2RS | 73.1 | 28.8 |
| | 11 | 3 | 5 | 0.15 | 685 | 685ZZ | 685 - 2RS | 73.1 | 28.8 |
| | 13 | 4 | 4 | 0.2 | 695 | 695ZZ | 695 - 2RS | 109.9 | 44.1 |
| | 14 | 5 | 5 | 0.2 | 605 | 605ZZ | 605 - 2RS | 135.6 | 51.7 |
| | 16 | 5 | 5 | 0.3 | 625 | 625ZZ | 625 - 2RS | 176.4 | 68.9 |
| 6 | 19 | 6 | 6 | 0.3 | 635 | 635ZZ | 635 - 2RS | 238.4 | 91.4 |
| | 10 | 2.5 | 3 | 0.15 | MR106 | MR106ZZS | MR106 - 2RS | 50.6 | 22.2 |
| | 12 | 3 | 4 | 0.2 | MR126 | MR126ZZ | MR126 - 2RS | 72.9 | 30.1 |
| | 13 | 3.5 | 5 | 0.15 | 686 | 686ZZ | 686 - 2RS | 110.4 | 45.1 |
| | 15 | 5 | 5 | 0.2 | 696 | 696ZZ | 696 - 2RS | 136.7 | 53.4 |
| | 17 | 6 | 6 | 0.3 | 606 | 606ZZ | 606 - 2RS | 230.9 | 86.3 |
| | 19 | 6 | 6 | 0.3 | 626 | 626ZZ | 626 - 2RS | 238.4 | 91.4 |
| 7 | 22 | 7 | 7 | 0.3 | 636 | 636ZZ | 636 - 2RS | 340.1 | 145.2 |
| | 11 | 2.5 | 3 | 0.15 | MR117 | MR117ZZS | MR117 - 2RS | 46.4 | 20.6 |
| | 13 | 3 | 4 | 0.2 | MR137 | MR137ZZ | MR137 - 2RS | 55.2 | 28.2 |
| | 14 | 3.5 | 5 | 0.15 | 687 | 687ZZ | 687 - 2RS | 119.7 | 52.3 |
| | 17 | 5 | 5 | 0.3 | 697 | 697ZZ | 697 - 2RS | 163.8 | 73.4 |
| | 19 | 6 | 6 | 0.3 | 607 | 607ZZ | 607 - 2RS | 238.4 | 91.4 |
| | 22 | 7 | 7 | 0.3 | 627 | 627ZZ | 627 - 2RS | 335.4 | 140.7 |
| 8 | 26 | 9 | 9 | 0.3 | 637 | 637ZZ | 637 - 2RS | 465.6 | 202.3 |
| | 12 | 2.5 | 3.5 | 0.15 | MR128 | MR128ZZS | MR128 - 2RS | 55.4 | 28.0 |
| | 14 | 3.5 | 4 | 0.2 | MR148 | MR148ZZ | MR148 - 2RS | 83.4 | 39.4 |
| | 16 | 4 | 5 | 0.2 | 688 | 688ZZ | 688 - 2RS | 127.8 | 60.4 |
| | 19 | 6 | 6 | 0.3 | 698 | 698ZZ | 698 - 2RS | 228.3 | 93.6 |
| | 22 | 7 | 7 | 0.3 | 608 | 608ZZ | 608 - 2RS | 336.0 | 140.7 |
| | 24 | 8 | 8 | 0.3 | 628 | 628ZZ | 628 - 2RS | 340.1 | 145.2 |
| 9 | 28 | 9 | 9 | 0.3 | 638 | 638ZZ | 638 - 2RS | 465.6 | 202.3 |
| | 14 | 3 | 4.5 | 0.1 | 679 | 679ZZS | 679 - 2RS | 93.8 | 47.8 |
| | 17 | 4 | 5 | 0.2 | 689 | 689ZZ | 689 - 2RS | 135.4 | 68.2 |
| | 20 | 6 | 6 | 0.3 | 699 | 699ZZ | 699 - 2RS | 251.7 | 110.3 |
| | 24 | 7 | 7 | 0.3 | 609 | 609ZZ | 609 - 2RS | 342.2 | 147.3 |
| | 26 | 8 | 8 | 0.3 | 629 | 629ZZ | 629 - 2RS | 466.8 | 202.3 |
| 30 | 10 | 10 | 0.6 | 639 | 639ZZ | 639 - 2RS | 475.4 | 212.2 | |

• For Stainless Steel type, add SS in front of the part number.

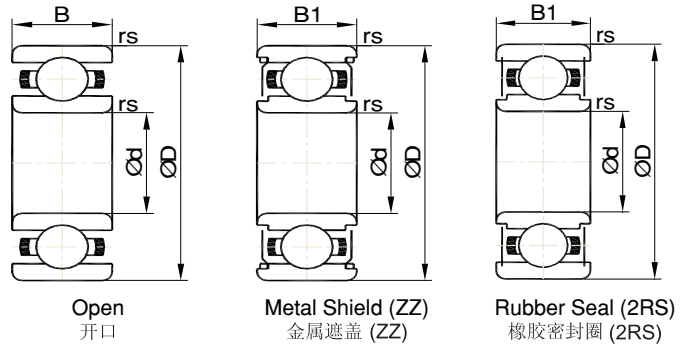
不锈钢类型型号前需加SS。

PLAIN BEARING

普通轴承

STANDARD TYPE / 标准型

METRIC SERIES / 公制系列



Dimensions / 尺寸

Unit / 单位 : mm

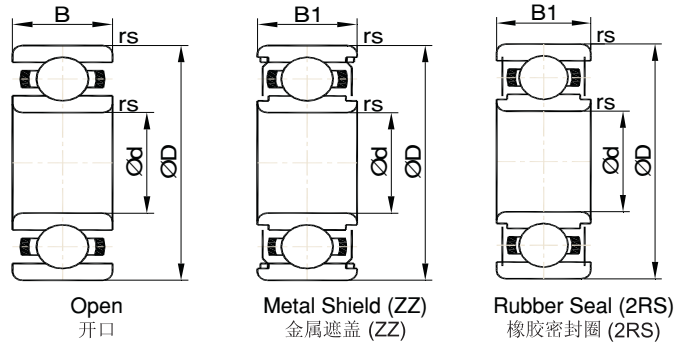
| Boundary Dimensions 边界尺寸 | | | | | Bearing Number 轴承号码 | | | Basic Load Rating 基本负载等级 | |
|-----------------------------|----|----|----------------|-----|------------------------|--------------------------------|----------------------------------|-----------------------------|--------------|
| d | D | B | B ₁ | rs | Open 开口 | Metal Shield (ZZ) 金属遮盖 (ZZ) | Rubber Seal (2RS) 橡胶密封圈 (2RS) | C (kgf) | Cor (kgf) |
| 10 | 15 | 3 | 4 | 0.2 | 6700 | 6700ZZ | 6700 - 2RS | 87.2 | 44.4 |
| | 19 | 5 | 5 | 0.3 | 6800 | 6800ZZ | 6800 - 2RS | 175.1 | 85.7 |
| | 22 | 6 | 6 | 0.3 | 6900 | 6900ZZ | 6900 - 2RS | 275.0 | 129.9 |
| | 26 | 8 | 8 | 0.3 | 6000 | 6000ZZ | 6000 - 2RS | 455.0 | 197.0 |
| | 30 | 9 | 9 | 0.6 | 6200 | 6200ZZ | 6200 - 2RS | 510.0 | 239.0 |
| | 35 | 11 | 11 | 0.6 | 6300 | 6300ZZ | 6300 - 2RS | 806.0 | 375.0 |
| 12 | 18 | 4 | 4 | 0.2 | 6701 | 6701ZZ | 6700 - 2RS | 94.5 | 54.1 |
| | 21 | 5 | 5 | 0.3 | 6801 | 6801ZZ | 6801 - 2RS | 195.4 | 106.2 |
| | 24 | 6 | 6 | 0.3 | 6901 | 6901ZZ | 6901 - 2RS | 294.5 | 149.6 |
| | 28 | 8 | 8 | 0.3 | 6001 | 6001ZZ | 6001 - 2RS | 510.0 | 237.0 |
| | 28 | 7 | 7 | 0.3 | 16001 | 16001ZZ | 16001 - 2RS | 510.0 | 237.0 |
| | 32 | 10 | 10 | 0.6 | 6201 | 6201ZZ | 6201 - 2RS | 680.0 | 305.0 |
| 15 | 37 | 12 | 12 | 1.0 | 6301 | 6301ZZ | 6301 - 2RS | 975.0 | 465.0 |
| | 21 | 4 | 4 | 0.2 | 6702 | 6702ZZ | 6702 - 2RS | 95.6 | 59.4 |
| | 24 | 5 | 5 | 0.3 | 6802 | 6802ZZ | 6802 - 2RS | 211.5 | 127.9 |
| | 28 | 7 | 7 | 0.3 | 6902 | 6902ZZ | 6902 - 2RS | 440.9 | 230.5 |
| | 32 | 9 | 9 | 0.3 | 6002 | 6002ZZ | 6002 - 2RS | 560.0 | 283.0 |
| | 32 | 8 | 8 | 0.3 | 16002 | 16002ZZ | 16002 - 2RS | 560.0 | 283.0 |
| | 35 | 11 | 11 | 0.6 | 6202 | 6202ZZ | 6202 - 2RS | 765.0 | 375.0 |
| 17 | 42 | 13 | 13 | 1.0 | 6302 | 6302ZZ | 6302 - 2RS | 1,140.0 | 540.0 |
| | 23 | 4 | 4 | 0.2 | 6703 | 6703ZZ | 6703 - 2RS | 102.0 | 67.1 |
| | 26 | 5 | 5 | 0.3 | 6803 | 6803ZZ | 6803 - 2RS | 227.9 | 148.6 |
| | 30 | 7 | 7 | 0.3 | 6903 | 6903ZZ | 6903 - 2RS | 468.2 | 261.7 |
| | 35 | 10 | 10 | 0.3 | 6003 | 6003ZZ | 6003 - 2RS | 600.0 | 325.0 |
| | 35 | 8 | 8 | 0.3 | 16003 | 16003ZZ | 16003 - 2RS | 600.0 | 325.0 |
| | 40 | 12 | 12 | 0.6 | 6203 | 6203ZZ | 6203 - 2RS | 955.0 | 480.0 |
| | 47 | 14 | 14 | 1.0 | 6303 | 6303ZZ | 6303 - 2RS | 1,385.1 | 679.5 |

- For Stainless Steel type, add SS in front of the part number.
不锈钢类型型号前需加SS。

PLAIN BEARING

普通轴承

STANDARD TYPE / 标准型 METRIC SERIES / 公制系列



• Dimensions / 尺寸

Unit / 单位 : mm

| Boundary Dimensions 边界尺寸 | | | | | Bearing Number 轴承号码 | | | Basic Load Rating 基本负载等级 | |
|-----------------------------|----|----|----------------|-----|------------------------|--------------------------------|----------------------------------|-----------------------------|--------------------------|
| d | D | B | B ₁ | rs | Open 开口 | Metal Shield (ZZ) 金属遮盖 (ZZ) | Rubber Seal (2RS) 橡胶密封圈 (2RS) | C _r (kgf) | C _{or} (kgf) |
| 20 | 27 | 4 | 4 | 0.2 | 6704 | 6704ZZ | 6704 - 2RS | 143.0 | 74.3 |
| | 32 | 7 | 7 | 0.3 | 6804 | 6804ZZ | 6804 - 2RS | 409.4 | 251.1 |
| | 37 | 9 | 9 | 0.3 | 6904 | 6904ZZ | 6904 - 2RS | 650.7 | 375.5 |
| | 42 | 12 | 12 | 0.6 | 6004 | 6004ZZ | 6004 - 2RS | 955.4 | 516.7 |
| | 47 | 14 | 14 | 1.0 | 6204 | 6204ZZ | 6204 - 2RS | 1,309.1 | 683.5 |
| | 52 | 15 | 15 | 1.1 | 6304 | 6304ZZ | 6304 - 2RS | 1,617.9 | 804.5 |
| 25 | 32 | 4 | 4 | 0.2 | 6705 | 6705ZZ | 6705 - 2RS | 111.3 | 85.5 |
| | 37 | 7 | 7 | 0.3 | 6805 | 6805ZZ | 6805 - 2RS | 438.8 | 299.0 |
| | 42 | 9 | 9 | 0.3 | 6905 | 6905ZZ | 6905 - 2RS | 713.9 | 463.0 |
| | 47 | 12 | 12 | 0.6 | 6005 | 6005ZZ | 6005 - 2RS | 1,025.3 | 597.6 |
| | 52 | 15 | 15 | 1.0 | 6205 | 6205ZZ | 6205 - 2RS | 1,428.0 | 803.4 |
| | 62 | 17 | 17 | 1.1 | 6305 | 6305ZZ | 6305 - 2RS | 2,098.6 | 1,155.2 |
| 30 | 37 | 4 | 4 | 0.2 | 6706 | 6706ZZ | 6706 - 2RS | 116.6 | 96.6 |
| | 42 | 7 | 7 | 0.3 | 6806 | 6806ZZ | 6806 - 2RS | 462.7 | 346.9 |
| | 47 | 9 | 9 | 0.3 | 6906 | 6906ZZ | 6906 - 2RS | 738.5 | 510.2 |
| | 55 | 13 | 13 | 1.0 | 6006 | 6006ZZ | 6006 - 2RS | 1,348.1 | 842.4 |
| | 62 | 16 | 16 | 1.0 | 6206 | 6206ZZ | 6206 - 2RS | 1,982.6 | 1,157.2 |
| | 72 | 19 | 19 | 1.1 | 6306 | 6306ZZ | 6306 - 2RS | 2,715.2 | 1,540.0 |
| 35 | 44 | 5 | 5 | 0.3 | 6707 | 6707ZZ | 6707 - 2RS | 190.3 | 166.7 |
| | 47 | 7 | 7 | 0.3 | 6807 | 6807ZZ | 6807 - 2RS | 482.2 | 389.6 |
| | 55 | 10 | 10 | 0.6 | 6907 | 6907ZZ | 6907 - 2RS | 1,111.5 | 797.2 |
| | 62 | 14 | 14 | 1.0 | 6007 | 6007ZZ | 6007 - 2RS | 1,626.9 | 1,051.3 |
| | 72 | 17 | 17 | 1.1 | 6207 | 6207ZZ | 6207 - 2RS | 2,616.2 | 1,575.0 |
| 40 | 50 | 6 | 6 | 0.3 | 6708 | 6708ZZ | 6708 - 2RS | 256.6 | 227.7 |
| | 52 | 7 | 7 | 0.3 | 6808 | 6808ZZ | 6808 - 2RS | 502.0 | 426.0 |
| | 62 | 12 | 12 | 0.6 | 6908 | 6908ZZ | 6908 - 2RS | 1,394.8 | 1,016.5 |
| | 68 | 15 | 15 | 1.0 | 6008 | 6008ZZ | 6008 - 2RS | 1,709.9 | 1,175.2 |
| | 80 | 18 | 18 | 1.1 | 6208 | 6208ZZ | 6208 - 2RS | 2,967.0 | 1,826.7 |
| 45 | 55 | 6 | 6 | 0.3 | 6709 | 6709ZZ | 6709 - 2RS | 263.1 | 244.4 |
| | 58 | 7 | 7 | 0.3 | 6809 | 6809ZZ | 6809 - 2RS | 630.9 | 548.7 |
| | 68 | 12 | 12 | 0.6 | 6909 | 6909ZZ | 6909 - 2RS | 1,437.8 | 1,028.2 |
| | 75 | 16 | 16 | 1.0 | 6009 | 6009ZZ | 6009 - 2RS | 1,817.8 | 1,231.2 |

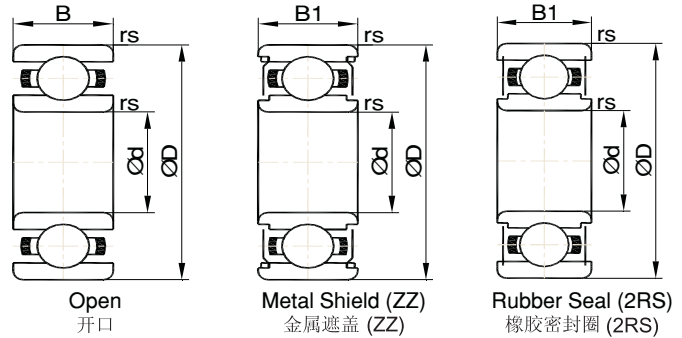
• For Stainless Steel type, add SS in front of the part number.

不锈钢类型型号前需加SS。

PLAIN BEARING

普通轴承

■ STANDARD TYPE / 标准型 INCH SERIES / 英制系列



• Dimensions / 尺寸

Unit / 单位 : inch, mm

| Boundary Dimensions 边界尺寸 | | | | | | | | | | Bearing Number 轴承号码 | | | Basic Load Rating 基本负载等级 | |
|-----------------------------|--------|--------|--------|--------|-------|--------|--------|--------|------|------------------------|--------------------------------|----------------------------------|-----------------------------|--------------|
| d | | D | | B | | B1 | | rs | | Open 开口 | Metal Shield (ZZ) 金属遮盖 (ZZ) | Rubber Seal (2RS) 橡胶密封圈 (2RS) | Cr (kgf) | Cor (kgf) |
| inch | mm | inch | mm | inch | mm | inch | mm | inch | mm | | | | | |
| 0.0400 | 1.016 | 0.1250 | 3.175 | 0.0469 | 1.191 | - | - | 0.0039 | 0.1 | R09 | - | - | 10.8 | 2.9 |
| 0.0469 | 1.191 | 0.1562 | 3.967 | 0.0625 | 1.588 | 0.0937 | 2.380 | 0.0039 | 0.1 | R0 | R0ZZ | - | 11.4 | 3.4 |
| 0.0550 | 1.397 | 0.1875 | 4.762 | 0.0781 | 1.984 | 0.1094 | 2.779 | 0.0039 | 0.1 | R1 | R1ZZ | - | 23.7 | 6.8 |
| 0.0781 | 1.984 | 0.2500 | 6.350 | 0.0937 | 2.380 | 0.1406 | 3.571 | 0.0039 | 0.1 | R1 - 4 | R1 - 4ZZS | R1 - 4 - 2RS | 29 | 9.8 |
| 0.0937 | 2.380 | 0.1875 | 4.762 | 0.0625 | 1.588 | 0.1406 | 3.571 | 0.0039 | 0.1 | R133 | - | - | 19.3 | 6.1 |
| | | 0.1875 | 4.762 | - | - | 0.0937 | 2.380 | 0.0039 | 0.1 | - | R133ZZS | R133 - 2RS | 14.7 | 5.4 |
| | | 0.3125 | 7.938 | 0.1094 | 2.779 | 0.1406 | 3.571 | 0.0059 | 0.2 | R1 - 5 | R1 - 5ZZS | R1 - 5 - 2RS | 56.3 | 17.9 |
| 0.1250 | 3.175 | 0.2500 | 6.350 | 0.0937 | 2.380 | 0.1094 | 2.779 | 0.0039 | 0.1 | R144 | R144ZZS | R144 - 2RS | 29 | 9.8 |
| | | 0.3125 | 7.938 | 0.1094 | 2.779 | 0.1406 | 3.571 | 0.0039 | 0.1 | R2 - 5 | R2 - 5ZZ | R2 - 5 - 2RS | 56.9 | 18.4 |
| | | 0.3750 | 9.525 | 0.1094 | 2.779 | 0.1406 | 3.571 | 0.0059 | 0.2 | R2 - 6 | R2 - 6ZZ | R2 - 6 - 2RS | 65.3 | 23.1 |
| | | 0.3750 | 9.525 | 0.1562 | 3.967 | 0.1562 | 3.967 | 0.0018 | 0.3 | R2 | R2ZZ | R2 - 2RS | 64.3 | 22.3 |
| | | 0.5000 | 12.700 | 0.1719 | 4.366 | 0.1719 | 4.366 | 0.0018 | 0.3 | R2A | R2AZZ | R2A - 2RS | 65.3 | 23.1 |
| 0.1562 | 3.967 | 0.3125 | 7.938 | 0.1094 | 2.779 | 0.1250 | 3.175 | 0.0039 | 0.1 | R155 | R155ZZS | R155 - 2RS | 36.6 | 15.3 |
| 0.1875 | 4.762 | 0.3125 | 7.938 | 0.1094 | 2.779 | 0.1250 | 3.175 | 0.0039 | 0.1 | R156 | R156ZZS | R156 - 2RS | 36.6 | 15.3 |
| | | 0.3750 | 9.525 | 0.1250 | 3.175 | 0.1250 | 3.175 | 0.0039 | 0.1 | R166 | R166ZZ | R166 - 2RS | 72.3 | 27.7 |
| | | 0.5000 | 12.700 | 0.1562 | 3.967 | 0.1960 | 4.978 | 0.0018 | 0.3 | R3 | R3ZZ | R3 - 2RS | 132.7 | 49.8 |
| | | 0.6250 | 15.875 | 0.1960 | 4.978 | 0.1960 | 4.978 | 0.0018 | 0.3 | R3A | R3AZZ | R3A - 2RS | 150.9 | 63.3 |
| 0.2500 | 6.350 | 0.3750 | 9.525 | 0.1250 | 3.175 | 0.1250 | 3.175 | 0.0039 | 0.1 | R168 | R168ZZS | R168 - 2RS | 38 | 17.5 |
| | | 0.5000 | 12.700 | 0.1250 | 3.175 | 0.1875 | 4.762 | 0.0059 | 0.2 | R188 | R188ZZ | R188 - 2RS | 110.3 | 45.1 |
| | | 0.6250 | 15.875 | 0.1960 | 4.978 | 0.1960 | 4.978 | 0.0018 | 0.3 | R4 | R4ZZ | R4 - 2RS | 150.9 | 63.3 |
| | | 0.7500 | 19.050 | 0.2188 | 5.558 | 0.2812 | 7.142 | 0.0157 | 0.4 | R4A | R4AZZ | R4A - 2RS | 238.2 | 91.4 |
| 0.3125 | 7.938 | 0.5000 | 12.700 | 0.1562 | 3.967 | 0.1562 | 3.967 | 0.0059 | 0.2 | R1810 | R1810ZZS | R1810 - 2RS | 55.3 | 28.1 |
| 0.3750 | 9.525 | 0.6250 | 15.875 | 0.1562 | 3.967 | 0.1562 | 3.967 | 0.0098 | 0.25 | R1038 | R1038ZZ | R1038 - 2RS | 43 | 20 |
| | | 0.8750 | 22.225 | 0.2188 | 5.558 | 0.2812 | 7.142 | 0.0157 | 0.4 | R6 | R6ZZ | R6 - 2RS | 339.8 | 145 |
| 0.5000 | 12.700 | 0.7500 | 19.050 | 0.1562 | 3.967 | 0.1562 | 3.967 | 0.0098 | 0.25 | R1212 | R1212ZZ | R1212 - 2RS | 50 | 27.5 |
| | | 1.1250 | 28.575 | 0.2500 | 6.350 | 0.3125 | 7.938 | 0.0157 | 0.4 | R8 | R8ZZ | R8 - 2RS | 520.9 | 246 |
| 0.6250 | 15.875 | 1.3750 | 34.925 | 0.3125 | 7.938 | 0.4375 | 11.113 | 0.0315 | 0.8 | R10 | R10ZZ | R10 - 2RS | 610.6 | 335.2 |

- For Stainless Steel type, add SS in front of the part number.
不锈钢类型型号前需加SS。