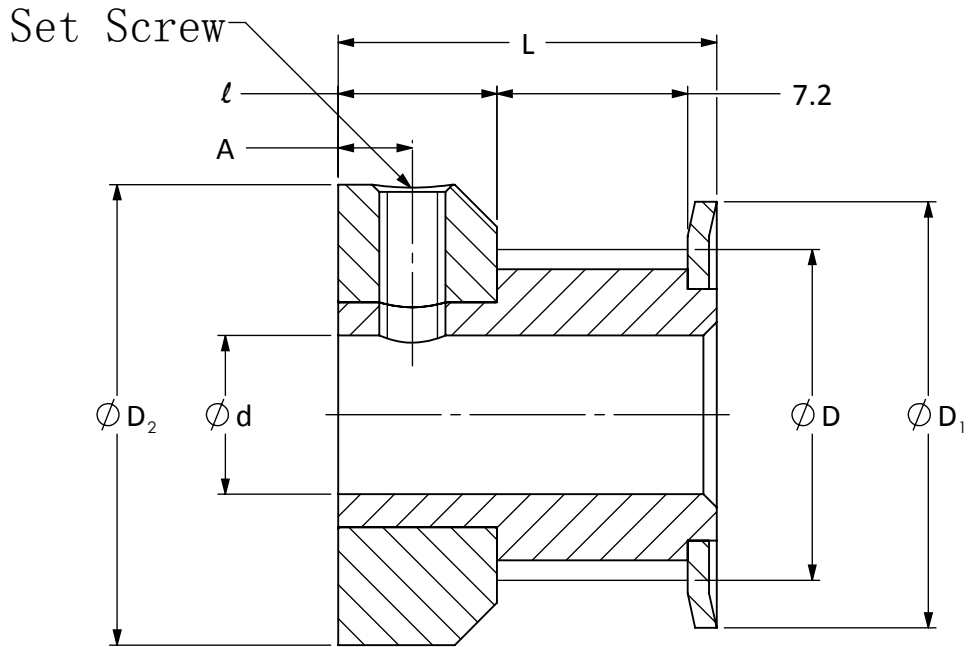


Timing Pulleys

- GT2 - 2mm PITCH for 6mm BELTS



Unit : mm

Model No	No. of Grooves	P. D	*ØD	Ø D ₁ ±0.4	Ø d +0.025 / 0	L	Ø D ₂ ±0.4	l	A	Set Screw
H6A51M018DF0606	18	11.5	11	16.1	6	14.3	16.1	6	2.8	M3

Material : Aluminium

Finish : Clear Anodized

*ØD Tolerance

12 to 60 Grooves +0.05/-0.0

60 to 120 Grooves +0.08/-0.0

Pulley with with 12 to 16 grooves have 1 set screw
others have 2 set screws @90°