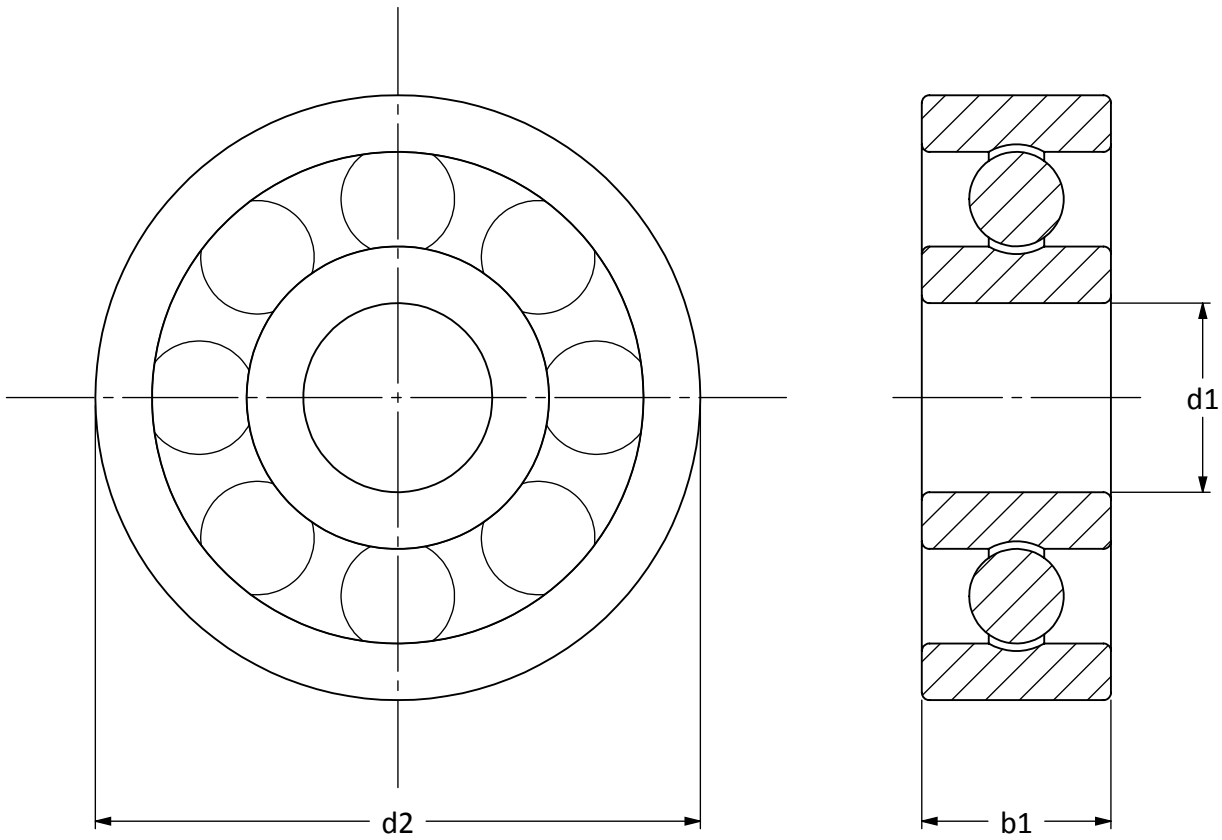


# Radial Deep Groove Ball Bearing



Part NO.	Dimension(mm)			Radial Load Capacity		Max. Speed	Material		
	Inner $\varnothing$ d1	Outer $\varnothing$ d2	Width b1	Stat. N	Dyn. N	rpm	Race	Cage	Ball
HBB-605-B180-30-ES	5	14	5	32	33	3500	B180	PA	Stainless Steel

\* Tolerance Shaft h6

\* Housing Bore Tolerance H7