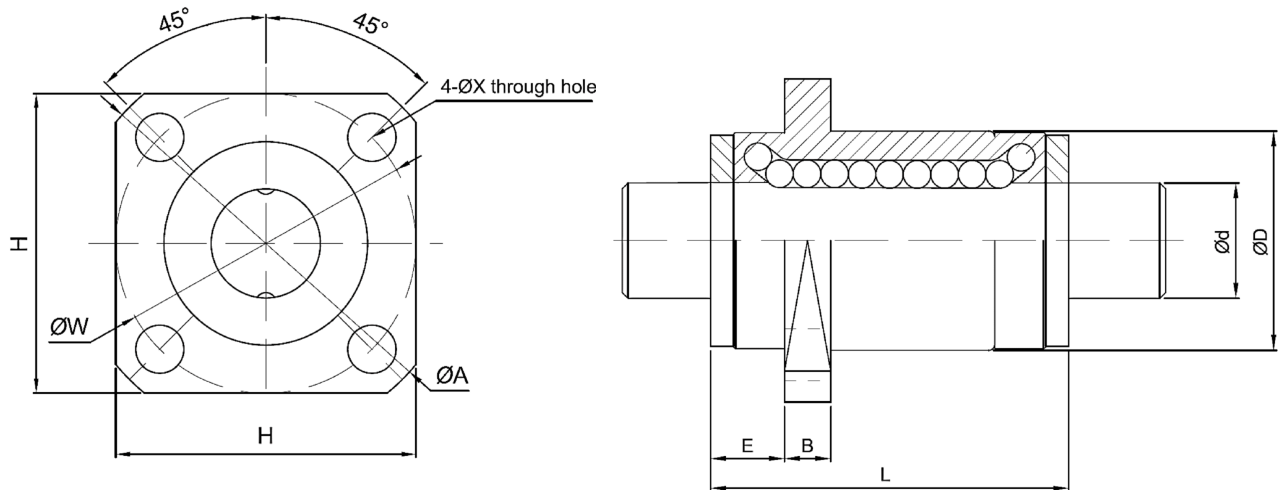


BALL SPLINE

Spline Nut

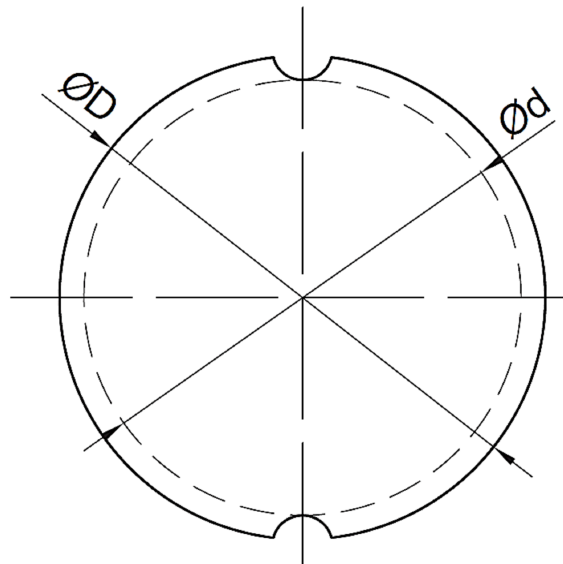


Model No.	Diameter d (h7)	Row	Spline Nut Dimensions [mm]							
			D	L	A	B	E	F	W	X - Mounting Hole
HSOF20T2NS-1053-P1	18.2	2	30	50	46	5.5	8.5	35	38	4.5

Model No	Basic Load Rating		Basic Torsion		Static Permissible Moment		Weight	
	C Kgf	C ₀ Kgf	C _T Kgf.m	C _{0T} Kgf.m	M _{A1} Kgf.m	M _{A2} Kgf.m	Nut g	Shaft Kg/m
HSOF20T2NS-1053-P1	673	922	6.73	9.22	4.95	29.36	150	2.02

BALL SPLINE

Spline Shaft



Inner Diameter $\varnothing d$	15.7
Outer Diameter $\varnothing D h7$	18.2
Weight (kg/m)	2.02
Ball \varnothing	3.572
Tolerance μm	0 -21

unit : mm