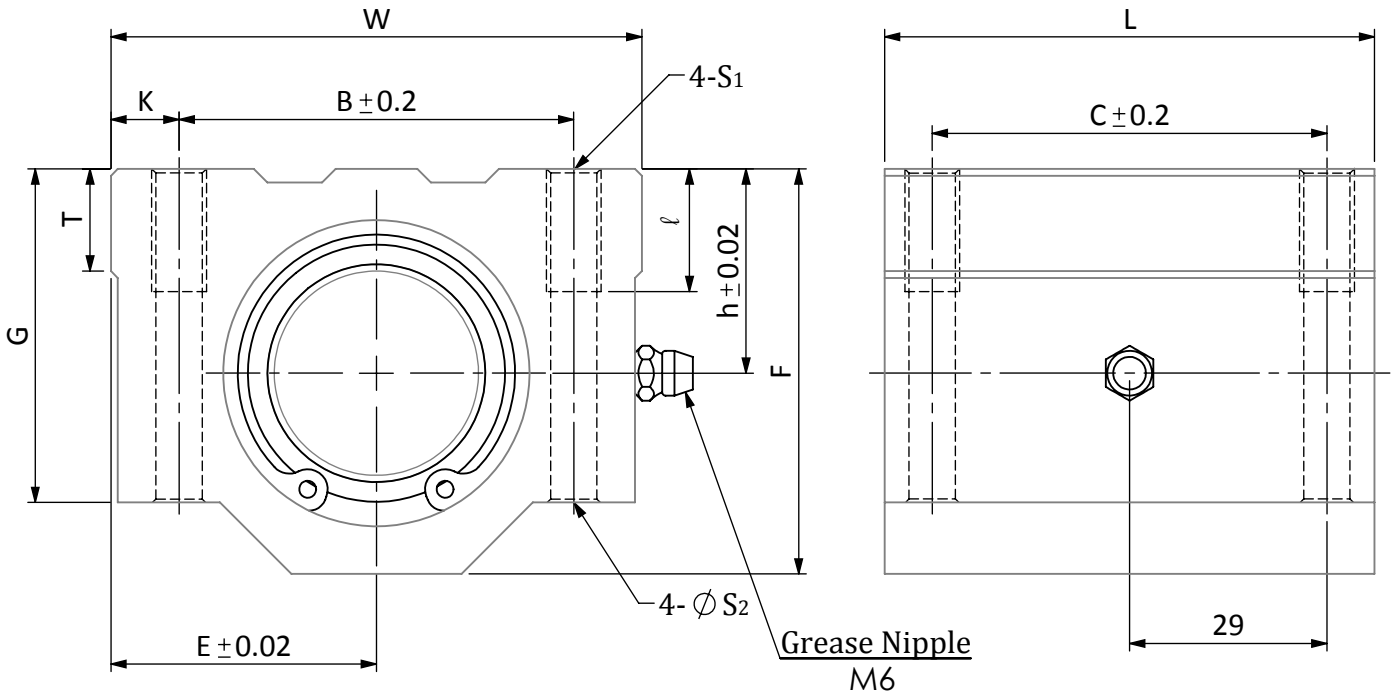


Standard Type Linear Block

- Linear Ball Bearing Type



Linear Motion

| Model No | Shaft Diameter | Main Dimensions [mm] | | | | | | | Mounting Dimensions [mm] | | | | | Linear Ball Bearing | | | Weight [g] | |
|------------|----------------|----------------------|----|----|----|----|----|----|--------------------------|----|----|----------------|----------------|---------------------|----------|---------------------|------------|---------------------|
| | | h | E | W | L | F | G | T | B | C | K | S ₁ | S ₂ | ℓ | Model No | Dynamic Load C(kgf) | | Static Load Co(kgf) |
| LMA30UU-OH | 30 | 30 | 39 | 78 | 72 | 60 | 49 | 15 | 58 | 58 | 10 | M8 | 7 | 18 | LM30UU | 160 | 280 | 735 |

*OH - Grease Nipple

*Material - AL6061