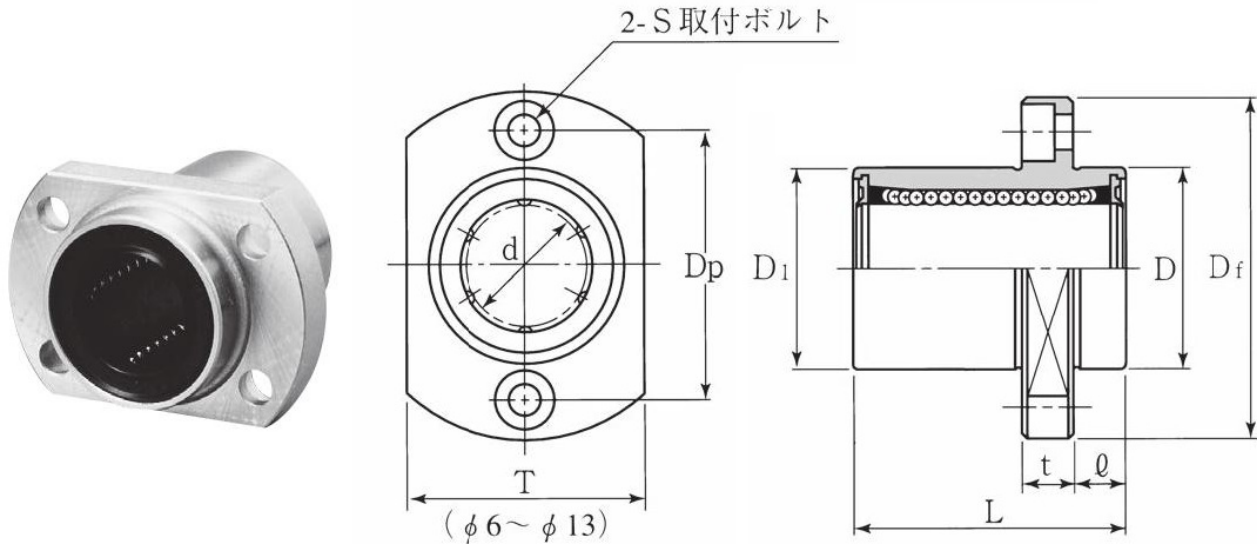


Flanged Linear Bushing



Part No.	d	D	D1 h10	L	ℓ	Df	T	t	Dp	S	Number of Ball Circuits	Mass (kg)	C (N)	Co (N)
LMH12UU-E	Ø12 ⁰ -0.009	Ø21 ⁰ -0.021	21	30	6	42	27	6	32	M4	4	0.07	549	430